

Part No:

# CIR-W-29500-5000-28



## Ka-Band Circulator • 27.5-31 GHz

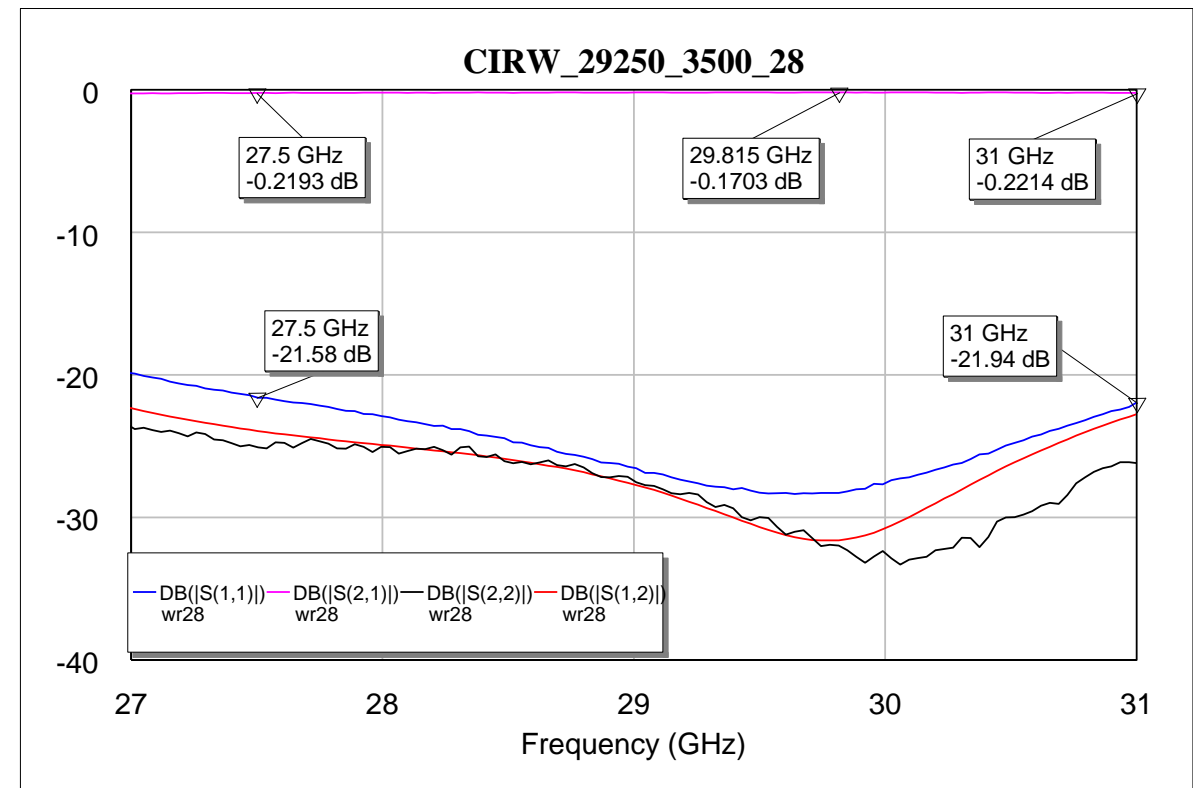
CIR-W-29500-5000-28 is a WR28 circulator with >21dB return loss and isolation across 27.5-31 GHz. It also has very low insertion loss of <0.25 dB.

### Key Features

- WR28 Circulator
- Great Return Loss and Isolation

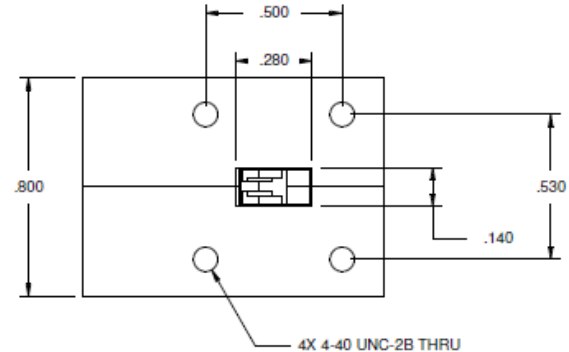
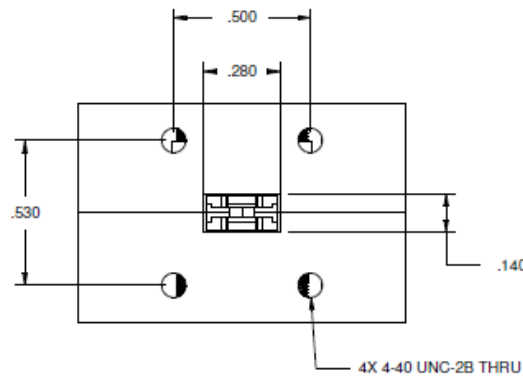
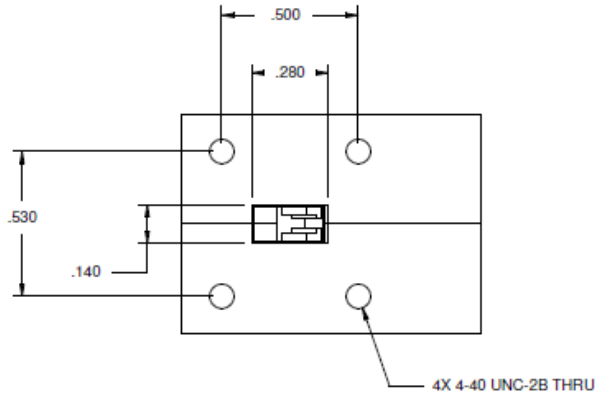
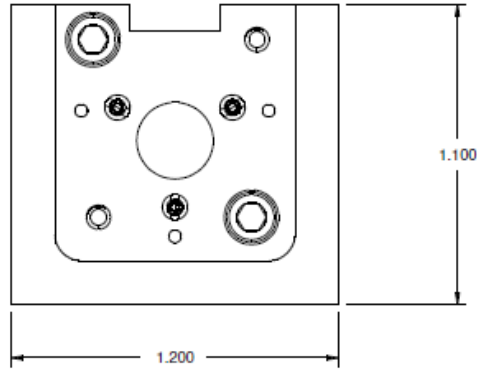
Parameters	
Pass-Band Frequency	27.5-31 GHz
Insertion Loss	<0.25dB
Return Loss	>20dB
Isolation	>20dB
Operating Temperature	-30°C to +70°C
Material	Aluminum Chromate Conversion Coating
Weight	35 grams

### Typical Measured Data



MATERIAL: ALUMINUM 6061-T6  
 FINISH: CHROMATE CONVERSION COATING  
 MIL-DTL-5541, TYPE II, CL 3 (CLEAR COLOR)

REVISIONS				
ZONE	REV	DESCRIPTION	DATE	APPROVED



PROPRIETARY AND CONFIDENTIAL

THE INFORMATION CONTAINED IN THIS DRAWING IS THE SOLE PROPERTY OF EXCEED MICROWAVE. ANY REPRODUCTION IN PART OR AS A WHOLE WITHOUT THE WRITTEN PERMISSION OF EXCEED MICROWAVE IS PROHIBITED

UNLESS OTHERWISE SPECIFIED DIMENSIONS ARE IN INCHES TOLERANCE PER: ASME Y14.5-1994

DECIMALS  
 .XX± .01  
 .XXX± .002  
 DO NOT SCALE DRAWING

DRAWN	DATE
HYokota	11/21/2018
ENGINEER	DATE
HYokota	11/21/2018

EXCEED MICROWAVE

TITLE: WR28 CIRCULATOR, 27.5-31GHz

SIZE	CAGE CODE:	DWG NO.	REV
B	79LJ7	CIR-W-29500-5000-28	A
SCALE	SHEET		1 OF 1
1:1			